

**Oregon Structural Specialty Code
Special Amendments
Section 2308.9.3.2 Portal Frame**

Effective Date: May 13, 2011

Contact: Richard S. Rogers
Structural Program Chief
richard.rogers@state.or.us

or

Steve Judson
Commercial Structures Code Specialist
steven.w.judson@state.or.us

Amendments to OSSC section 2308.9.3.2 have been adopted by the State of Oregon.

The 2010 OSSC Section 2308.9.3.2 requires an alternate braced wall panel adjacent to a door or window opening have tie-down devices rated at 4,200 pounds of uplift.

It was recently brought to the attention of the division that tie-down devices for this application are not capable of meeting the 4,200-pound rating. This rating is necessary to comply with seismic requirements in Oregon.

The division, after vetting this issue with industry representatives, prepared amendments to the 2010 OSSC for consideration by the Building Codes Structures Board. The Board approved the code changes at their regularly scheduled May 4, 2011 meeting.

These code changes have been prepared as insert pages for the 2010 OSSC. Pages are formatted so that when inserted, the amendments will face the page containing the existing code language.

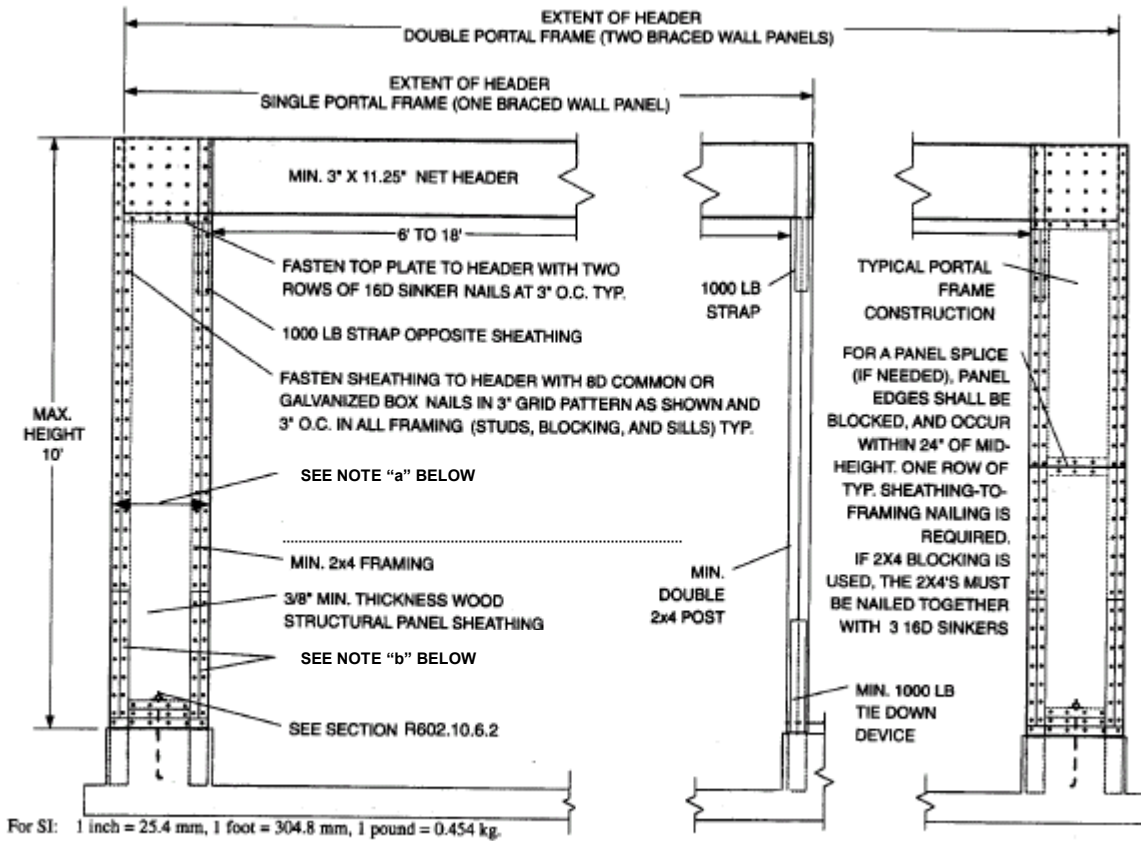
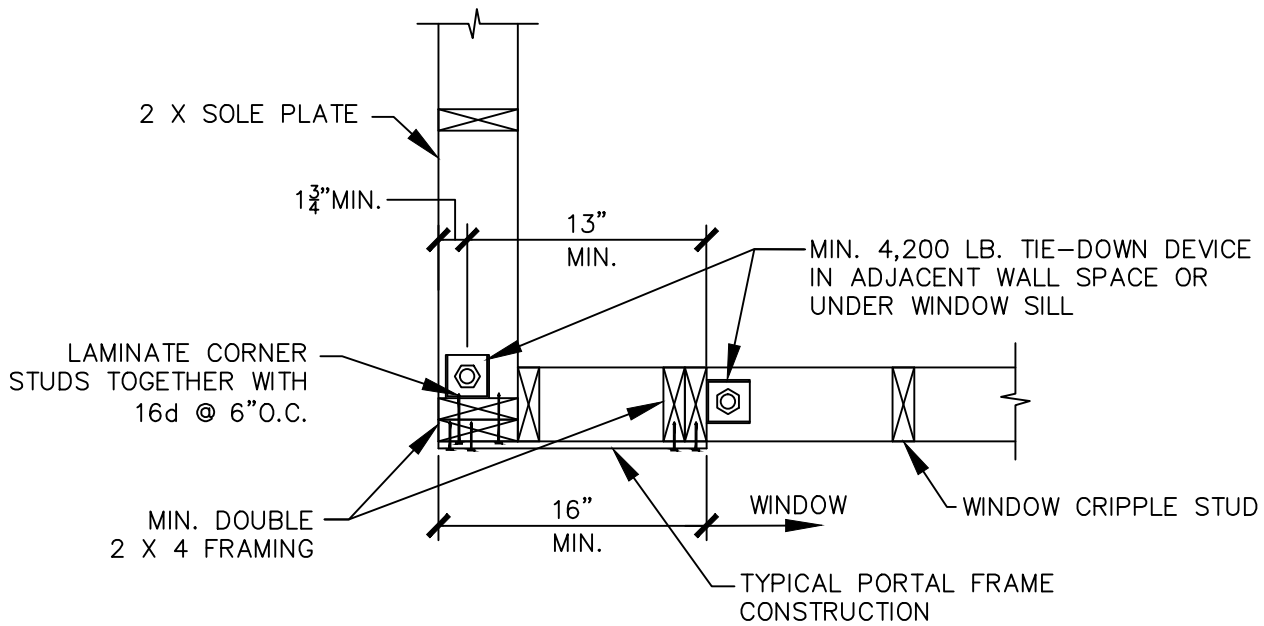
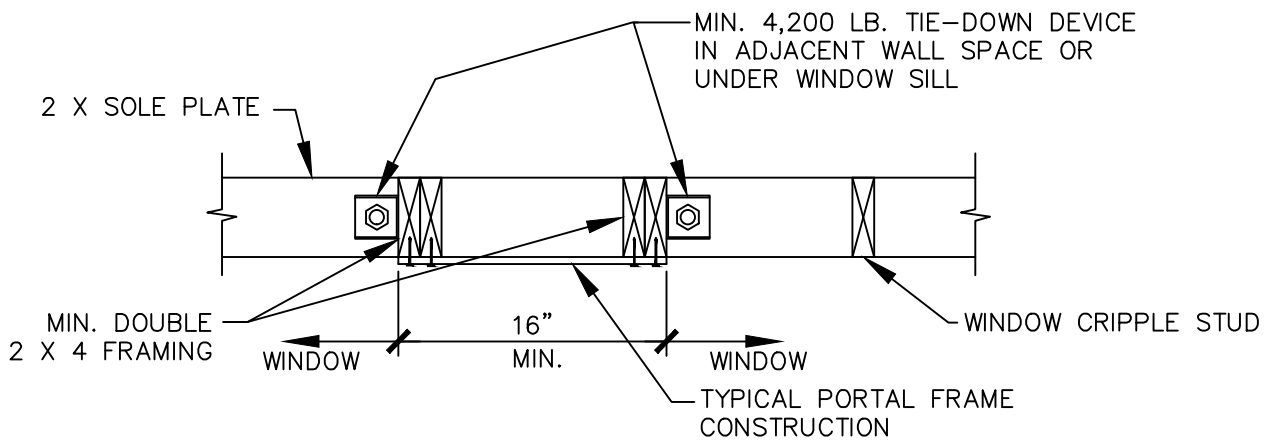


FIGURE R602.10.6.2
 ALTERNATE BRACED WALL PANEL ADJACENT TO A DOOR OR WINDOW OPENING

- a. Min. width – 20 inches for a one-story structure with 10 feet plate height, 18 inches for a one-story structure with 9 feet plate height and 16 inches for a one-story structure with 8 feet plate height. Min. width – 30 inches for use in the first story of a two-story structure with a 10 feet plate height, 26 inches for use in the first story of a two-story structure with a 9 feet plate height and 24 inches for use in the first story of a two-story structure with a 8 feet plate height.
- b. Min. 3500 lb tie-down device (embedded into concrete and nailed into framing).



ALTERNATE BRACE WALL PANEL AT CORNER CONDITION



ALTERNATE BRACE WALL PANEL AT INTERIOR CONDITION

**FIGURE 2308.9.3.2(1)
ALTERNATE BRACED WALL PANEL ADJACENT TO A WINDOW OPENING**